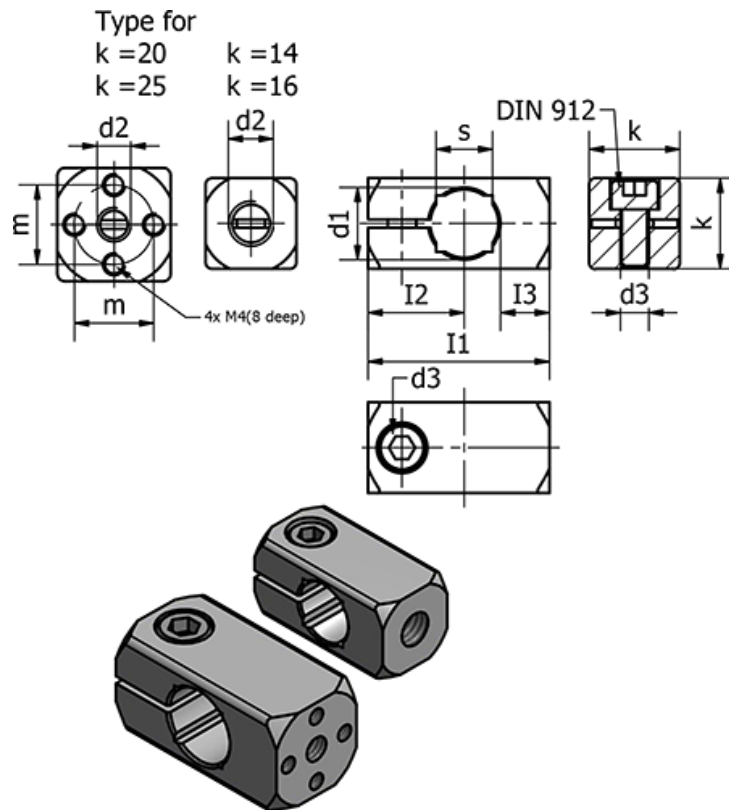


Article number: 20478B16M6ELS

Description: E+G Clamp mounting - GN 478-B16-M6-ELS

Measures



Clamping kit for $d_2 =$ GN 511-M6-20	m	$= 14$	
d_1 h11	$= 16$	s	$=$
d_2	$= M6$	Weight (g)	$= 31$
d_3	$= M6$		
I_1	$= 40$		
I_2	$= 20.5$		
I_3	$= 11.5$		
k	$= 20$		